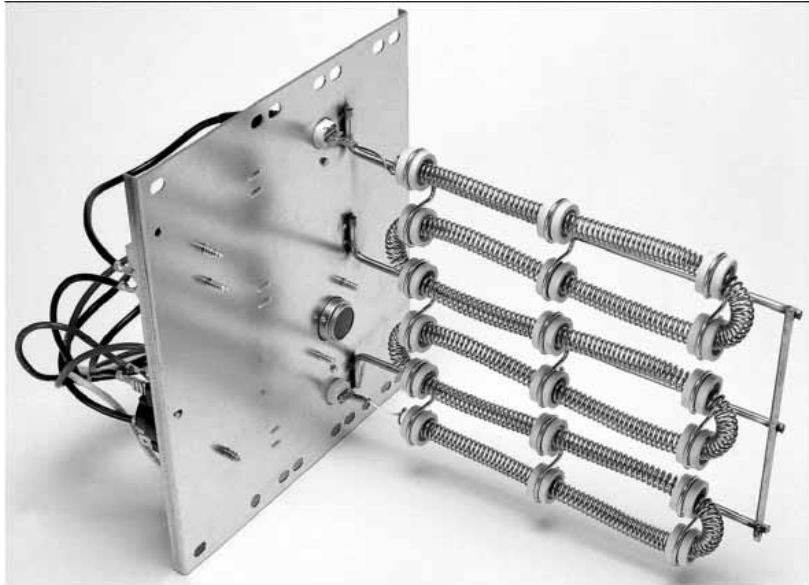


REPAIR PARTS

HKS Heater Kits

HKSC05XCAA
HKSC08XCAA
HKSC10XCAA
HKSC15XAAA
HKSC15XBAA
HKSC15XFAA
HKSC19CAAA
HKSC19CBAA
HKSC20DAAA
HKSC20DBAA
HKSC20XFAA
HKSC25DCAA
HKSX03XCAA
HKSX05XCAA
HKSX06XCAA
HKSX08XCAA
HKSX10XCAA



This manual is to be used by qualified technicians only.

This manual replaces RP-704.

© 2012 Goodman Manufacturing Company, L.P. ♦ 5151 San Felipe, Suite 500 ♦ Houston, TX 77056

Important Information

Index

Functional Parts List	3
Illustration and Parts	4 - 13

Views shown are for parts illustrations only, not servicing procedures.

Rev A: Introduction of HKSC15XF AA, HKSC20XF AA and HKSC25DC AA models with circuit breaker options sized for 208/240V. These models are in accordance with UL requirements for 2012.

Text Codes:

AR - As Required

NA - Not Available

NS - Not Shown

00000000 - See Note

QTY - Quantity Example (QTY 3) (If Quantity not shown, Quantity = 1)

M - Model Example (M1) (If M Code not shown, then part is used on all Models)

Expanded Model Nomenclature:

Example M1 - Model#1 M2 - Model#2 M3 - Model#3

Goodman Manufacturing Company, L.P. is not responsible for personal injury or property damage resulting from improper service. Review all service information before beginning repairs.

Warranty service must be performed by an authorized technician, using authorized factory parts. If service is required after the warranty expires, Goodman Manufacturing Company, L.P. also recommends contacting an authorized technician and using authorized factory parts.

Goodman Manufacturing Company, L.P. reserves the right to discontinue, or change at any time, specifications or designs without notice or without incurring obligations.

For assistance within the U.S.A. contact:
Consumer Affairs Department
Goodman Manufacturing Company, L.P.
7401 Security Way
Houston, Texas 77040
877-254-4729-Telephone
713-863-2382-Facsimile

For assistance outside the U.S.A. contact:
International Division
Goodman Manufacturing Company, L.P.
7401 Security Way
Houston, Texas 77040
713-861-2500-Telephone
713-863-2382-Facsimile

Functional Parts

Part No: **Description:**

CBK2PD240VA080	CBK, 2POLE, DUAL 120/240V, 80A (M12)
CBK3PD240VA040	CBK, 3POLE, DUAL 120/240V, 40A (M6)
CBK3PD240VA050	CBK, 3POLE, DUAL 120/240V, 50A (M11)
CBK2PD240VA030	CIRCUIT BREAKER , 2 POLE, DUAL, 120/240V, 30A (M1, M5)
CBK2PD240VA045	CIRCUIT BREAKER , 2 POLE, DUAL, 120/240V, 45A (M7, M9, M12)
CBK2PD240VA040	CIRCUIT BREAKER 40 AMP (GE) (M2)
CBK2PD240VA025	CIRCUIT BREAKER, 2 POLE, DUAL, 120/240V, 25A (M4, M12)
CBK2PD240VA050	CIRCUIT BREAKER, 2 POLE, DUAL, 120/240V, 50A (M4, M7, M9, M12)
CBK2PD240VA060	CIRCUIT BREAKER, 2 POLE, DUAL, 120/240V, 60A (M3, M5, M8, M10)
0200-195-001P	FUSE LINK 84°C (M13)
0200-086-001P	FUSE LINK 93°C (M1, M2, M3, M4, M5, M6, M7, M8, M9, M10, M11, M12, M14, M15, M16, M17)
0175M00007	HEATER ELEMENT 14.40 KW (M4, M5, M6)
0175M00010	HEATER ELEMENT 19.20 KW (M7, M8)
0175M00008	HEATER ELEMENT 19.20 KW (M9, M10)
0175M00002	HEATER ELEMENT 3.00 KW (M13)
0175M00003	HEATER ELEMENT 4.80 KW (M1, M14)
0175M00004	HEATER ELEMENT 6.00 KW (M15)
0175M00005	HEATER ELEMENT 8.00 KW (M2, M16)
0175M00006	HEATER ELEMENT 9.60 KW (M3, M17)
0175M00013	HEATER ELEMENT, 20KW, 3PHASE (M11)
0175M00014	HEATER ELEMENT, 25KW, 1PHASE (M12)
0200-194-001P	LIMIT
B1256558	SEQUENCER (M1, M4, M5, M12, M13, M14)
B1256559	SEQUENCER (M2, M3, M4, M5, M6, M7, M8, M9, M10, M11, M15, M16, M17)
B1256554	SEQUENCER A48/60 20KW (M12)
B1368250	TERMINAL BLOCK A-10KW (M6, M11, M13, M14, M15, M16, M17)

Expanded Model Nomenclature

M1 - HKSC05XCAA
M2 - HKSC08XCAA
M3 - HKSC10XCAA
M4 - HKSC15XAAA
M5 - HKSC15XBAA
M6 - HKSC15XFAA
M7 - HKSC19CAAA
M8 - HKSC19CBAA
M9 - HKSC20DAAA
M10 - HKSC20DBAA
M11 - HKSC20XFAA
M12 - HKSC25DCAA
M13 - HKSX03XCAA
M14 - HKSX05XCAA
M15 - HKSX06XCAA
M16 - HKSX08XCAA
M17 - HKSX10XCAA

HKSC Heater Kits with Circuit Breakers

IMAGE 1

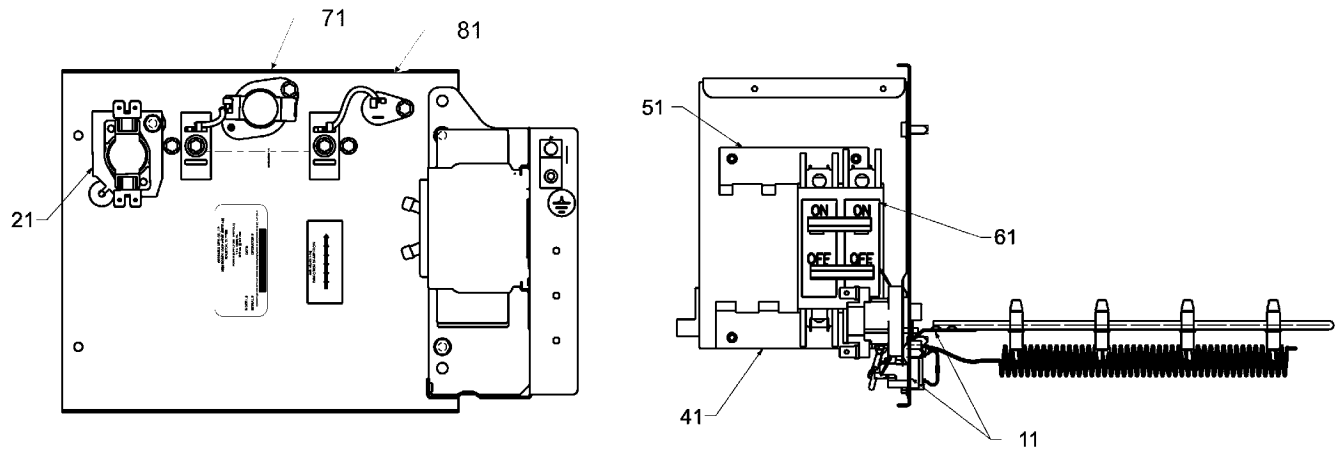
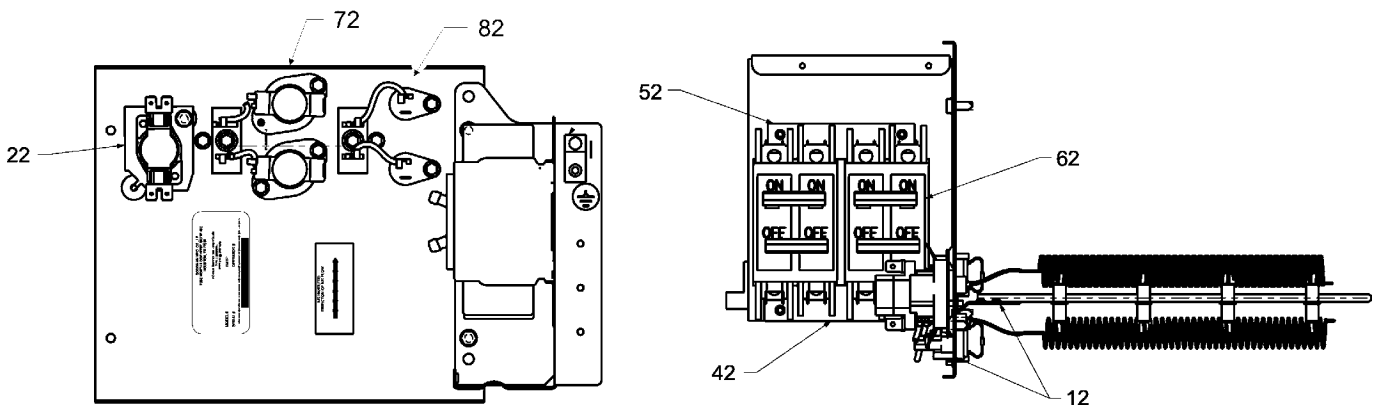


IMAGE 2



HKSC Heater Kits with Circuit Breakers

Ref. Part No: No:	Description:	Ref. Part No: No:	Description:
-------------------	--------------	-------------------	--------------

Image 1:

11	0175M00003	HEATER ELEMENT 4.80 KW (M1)
21	B1256558	SEQUENCER (M1)
41	0121A00368	MOUNTING BRACKET (M1)
51	0121A00369	MOUNTING BRACKET (M1)
61	CBK2PD240VA030	CIRCUIT BREAKER , 2 POLE, DUAL, 120/240V, 30A (M1)
71	0200-194-001P	LIMIT (M1)
81	0200-086-001P	FUSE LINK 93°C (M1)
NS	0259K00011	WIRE ASSY, 9 PIN FEMALE (M1)

Image 2:

12	0175M00005	HEATER ELEMENT 8.00 KW (M2)
12	0175M00006	HEATER ELEMENT 9.60 KW (M3)
22	B1256559	SEQUENCER (M2, M3)
42	0121A00368	MOUNTING BRACKET (M2, M3)
52	0121A00369	MOUNTING BRACKET (M2, M3)
62	CBK2PD240VA040	CIRCUIT BREAKER 40 AMP (GE) (M2)
62	CBK2PD240VA060	CIRCUIT BREAKER, 2 POLE, DUAL, 120/240V, 60A (M3)
72	0200-194-001P	LIMIT (M2, M3)
82	0200-086-001P	FUSE LINK 93°C (M2, M3)
NS	0259K00011	WIRE ASSY, 9 PIN FEMALE (M2, M3)

Expanded Model Nomenclature

- M1 - HKSC05XCAA
- M2 - HKSC08XCAA
- M3 - HKSC10XCAA
- M4 - HKSC15XAAA
- M5 - HKSC15XBAA
- M6 - HKSC15XFAA
- M7 - HKSC19CAAA
- M8 - HKSC19CBAA
- M9 - HKSC20DAAA
- M10 - HKSC20DBAA
- M11 - HKSC20XFAA
- M12 - HKSC25DCAA
- M13 - HKSX03XCAA
- M14 - HKSX05XCAA
- M15 - HKSX06XCAA
- M16 - HKSX08XCAA
- M17 - HKSX10XCAA

HKSC Heater Kits with Circuit Breakers

IMAGE 1

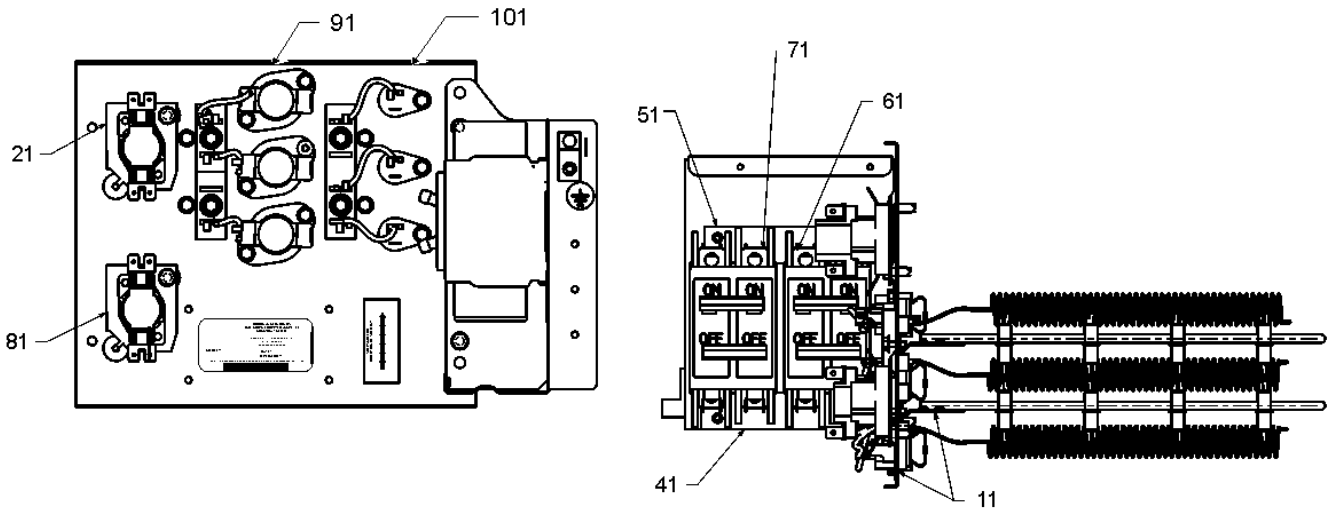
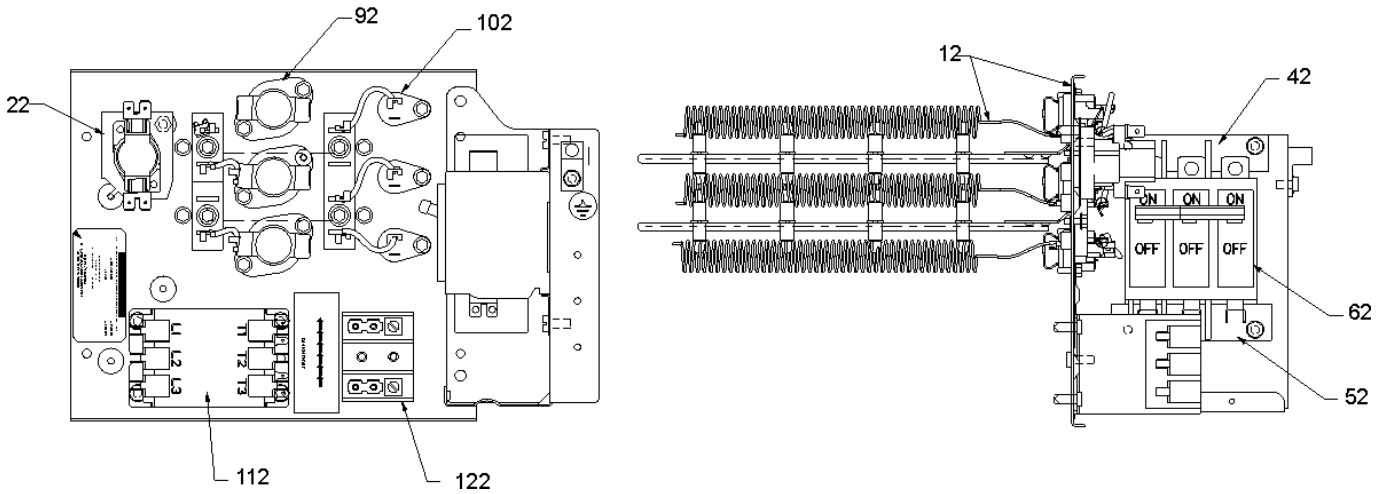


IMAGE 2



HKSC Heater Kits with Circuit Breakers

Ref. Part No:	Ref. Part No:	Description:	Description:
---------------	---------------	--------------	--------------

Image 1:

11	0175M00007	HEATER ELEMENT 14.40 KW (M4, M5)
21	B1256558	SEQUENCER (M4, M5)
41	0121A00368	MOUNTING BRACKET (M4, M5)
51	0121A00369	MOUNTING BRACKET (M4, M5)
61	CBK2PD240VA050	CIRCUIT BREAKER, 2 POLE, DUAL, 120/240V, 50A (M4)
61	CBK2PD240VA060	CIRCUIT BREAKER, 2 POLE, DUAL, 120/240V, 60A (M5)
71	CBK2PD240VA030	CIRCUIT BREAKER, 2 POLE, DUAL, 120/240V, 30A (M5)
71	CBK2PD240VA025	CIRCUIT BREAKER, 2 POLE, DUAL, 120/240V, 25A (M4)
81	B1256559	SEQUENCER (M4, M5)
91	0200-194-001P	LIMIT (M4, M5)
101	0200-086-001P	FUSE LINK 93°C (M4, M5)
NS	0259K00012	WIRE ASSY, 9 PIN FEMALE (M4, M5)

Image 2:

12	0175M00007	HEATER ELEMENT 14.40 KW (M6)
22	B1256559	SEQUENCER (M6)
42	0121A00378	MOUNTING BRACKET (M6)
52	0121A00379	MOUNTING BRACKET (M6)
62	CBK3PD240VA040	CBK, 3POLE, DUAL 120/240V, 40A (M6)
92	0200-194-001P	LIMIT (M6)
102	0200-086-001P	FUSE LINK 93°C (M6)
112	CONT3P050024V	CONT, 3 POLE, 50 AMP, 24 VAC (M6)
122	B1368250	TERMINAL BLOCK (HIGH VOLTAGE) (M6)
NS	0259K00015	WIRE ASSY, 9 PIN FEMALE (M6)

Expanded Model Nomenclature

M1 - HKSC05XCAA
M2 - HKSC08XCAA
M3 - HKSC10XCAA
M4 - HKSC15XAAA
M5 - HKSC15XBAA
M6 - HKSC15XFAA
M7 - HKSC19CAAA
M8 - HKSC19CBAA
M9 - HKSC20DAAA
M10 - HKSC20DBAA
M11 - HKSC20XFAA
M12 - HKSC25DCAA
M13 - HKSX03XCAA
M14 - HKSX05XCAA
M15 - HKSX06XCAA
M16 - HKSX08XCAA
M17 - HKSX10XCAA

HKSC Heater Kits with Circuit Breakers

IMAGE 1

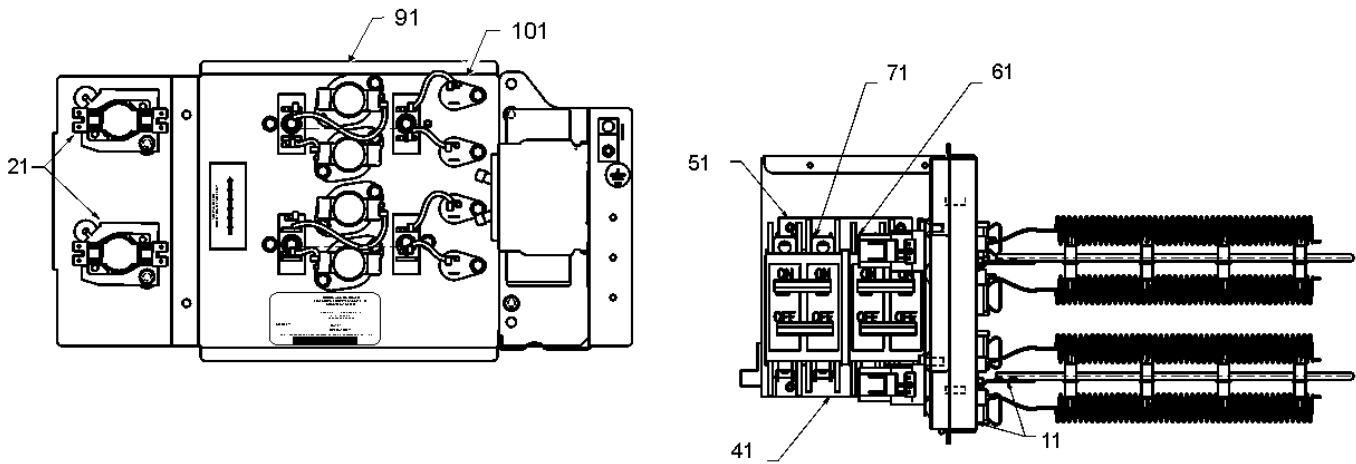
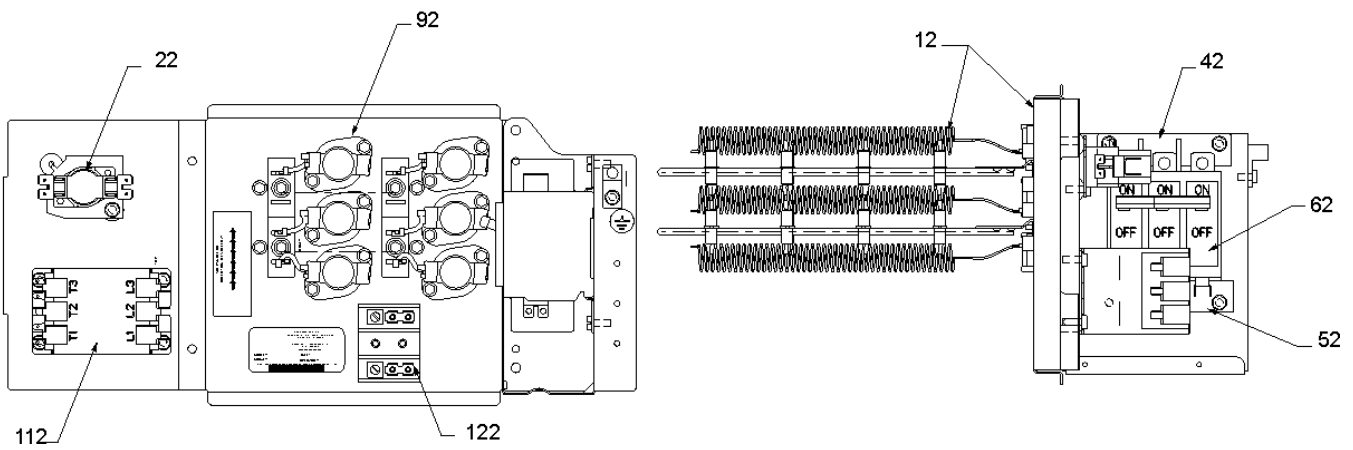


IMAGE 2



HKSC Heater Kits with Circuit Breakers

Ref. Part No: No:	Description:	Ref. Part No: No:	Description:
-------------------	--------------	-------------------	--------------

Image 1:

11	0175M00008	HEATER ELEMENT 19.20 KW (M9, M10)
11	0175M00010	HEATER ELEMENT 19.20 KW (M7, M8)
21	B1256559	SEQUENCER (M7, M8, M9, M10)
41	0121A00368	MOUNTING BRACKET (M7, M8, M9, M10)
51	0121A00369	MOUNTING BRACKET (M7, M8, M9, M10)
61	CBK2PD240VA050	CIRCUIT BREAKER, 2 POLE, DUAL, 120/240V, 50A (M7, M9)
61	CBK2PD240VA060	CIRCUIT BREAKER, 2 POLE, DUAL, 120/240V, 60A (M8, M10)
71	CBK2PD240VA045	CIRCUIT BREAKER, 2 POLE, DUAL, 120/240V, 45A (M7, M9)
71	CBK2PD240VA060	CIRCUIT BREAKER, 2 POLE, DUAL, 120/240V, 60A (M8, M10)
91	0200-194-001P	LIMIT (M7, M8, M9, M10)
101	0200-086-001P	FUSE LINK 93°C (M7, M8, M9, M10)
NS	0259K00012	WIRE ASSY, 9 PIN FEMALE (M7, M8, M9, M10)

Image 2:

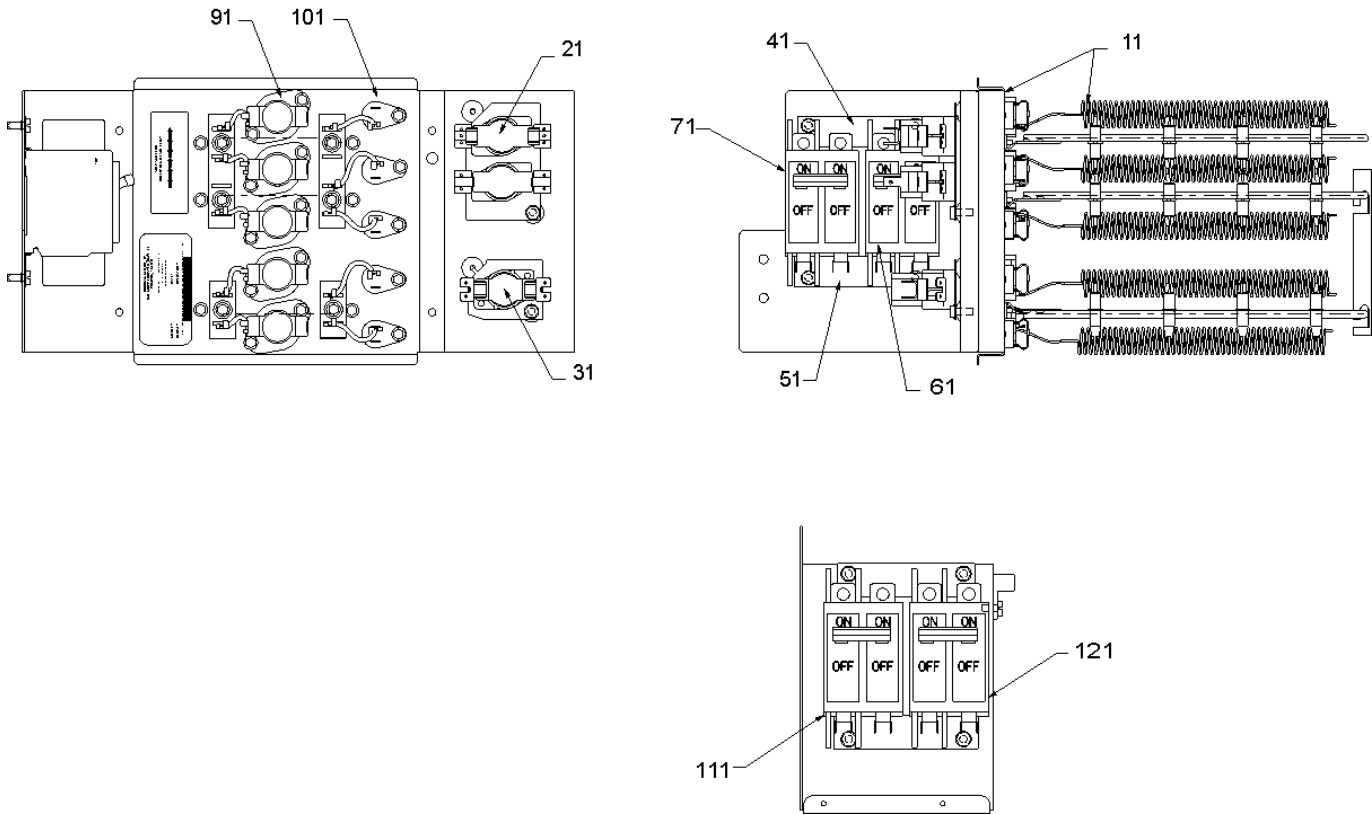
12	0175M00013	HEATER ELEMENT, 20KW, 3PHASE (M11)
22	B1256559	SEQUENCER (M11)
42	0121A00378	MOUNTING BRACKET (M11)
52	0121A00379	MOUNTING BRACKET (M11)
62	CBK3PD240VA050	CBK, 3POLE, DUAL 120/240V, 50A (M11)
92	0200-194-001P	LIMIT (M11)
112	CONT3P060024V	CONT, 3 POLE, 60 AMP, 24VAC (M11)
122	B1368250	TERMINAL BLOCK (HIGH VOLTAGE) (M11)
NS	0259K00015	WIRE ASSY, 9 PIN FEMALE (M11)

Expanded Model Nomenclature

M1 - HKSC05XCAA
M2 - HKSC08XCAA
M3 - HKSC10XCAA
M4 - HKSC15XAAA
M5 - HKSC15XBAA
M6 - HKSC15XFAA
M7 - HKSC19CAAA
M8 - HKSC19CBAA
M9 - HKSC20DAAA
M10 - HKSC20DBAA
M11 - HKSC20XFAA
M12 - HKSC25DCAA
M13 - HKSX03XCAA
M14 - HKSX05XCAA
M15 - HKSX06XCAA
M16 - HKSX08XCAA
M17 - HKSX10XCAA

HKSC Heater Kits with Circuit Breakers

IMAGE 1



HKSC Heater Kits with Circuit Breakers

Ref. Part No:	Description:	Ref. Part No:	Description:
---------------	--------------	---------------	--------------

Image 1:

11	0175M00014	HEATER ELEMENT, 25KW, 1PHASE (M12)
21	B1256554	SEQUENCER A48/60 20 KW (M12)
31	B1256558	SEQUENCER (M12)
41	0121A00368	MOUNTING BRACKET (M12)
51	0121A00369	MOUNTING BRACKET (M12)
61	CBK2PD240VA025	CBK, 2POLE, DUAL 120/240V, 25A (M12)
71	CBK2PD240VA045	CBK, 2POLE, DUAL 120/240V, 45A (M12)
91	0200-194-001P	LIMIT (M12)
101	0200-086-001P	FUSE LINK 93°C (M12)
111	CBK2PD240VA050	CBK, 2POLE, DUAL 120/240V, 50A (M12)
121	CBK2PD240VA080	CBK, 2POLE, DUAL 120/240V, 80A (M12)
NS	0259K00014	WIRE ASSY, 9 PIN FEMALE (M12)

Expanded Model Nomenclature

M1 - HKSC05XCAA
M2 - HKSC08XCAA
M3 - HKSC10XCAA
M4 - HKSC15XAAA
M5 - HKSC15XBAA
M6 - HKSC15XFAA
M7 - HKSC19CAAA
M8 - HKSC19CBAA
M9 - HKSC20DAAA
M10 - HKSC20DBAA
M11 - HKSC20XFAA
M12 - HKSC25DCAA
M13 - HKSX03XCAA
M14 - HKSX05XCAA
M15 - HKSX06XCAA
M16 - HKSX08XCAA
M17 - HKSX10XCAA

HKSX Heater Kits w/o Circuit Breakers

IMAGE 1

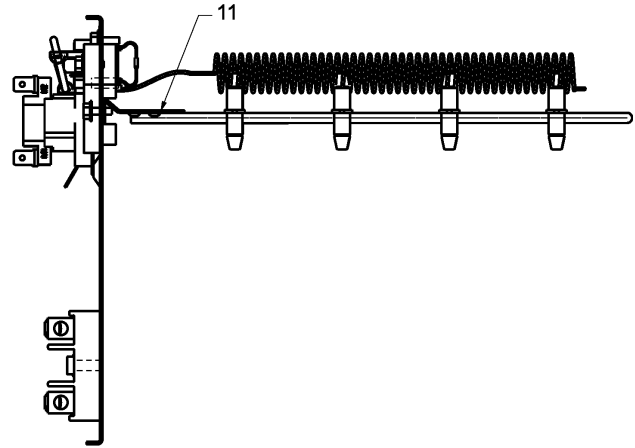
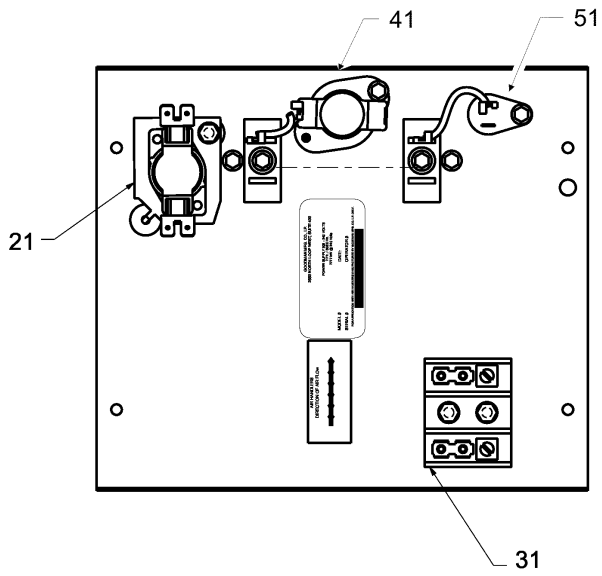
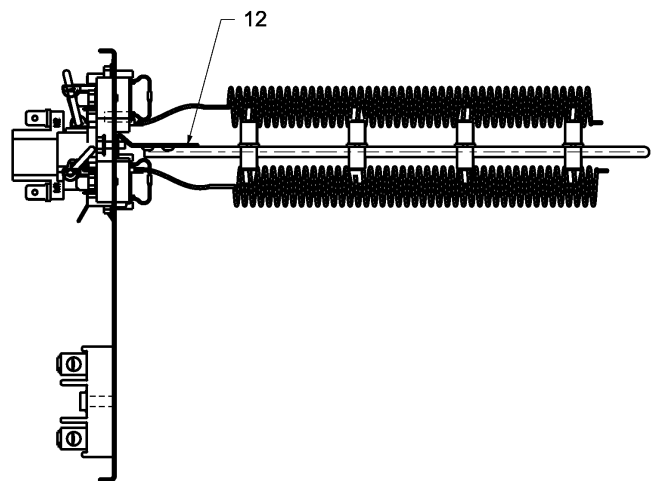
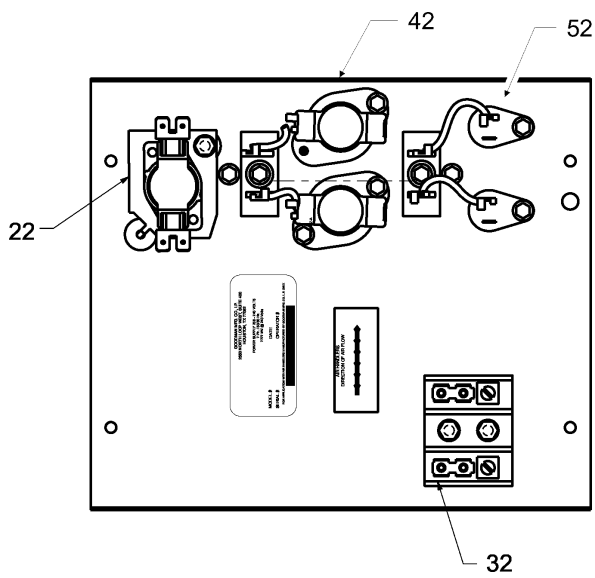


IMAGE 2



HKSX Heater Kits w/o Circuit Breakers

Ref. Part No: No:	Description:	Ref. Part No: No:	Description:
-------------------	--------------	-------------------	--------------

Image 1:

11	0175M00002	HEATER ELEMENT 3.00 KW (M13)
11	0175M00003	HEATER ELEMENT 4.80 KW (M14)
21	B1256558	SEQUENCER (M13, M14)
31	B1368250	TERMINAL BLOCK (HIGH VOLTAGE) (M13, M14)
41	0200-194-001P	LIMIT (M13, M14)
51	0200-195-001P	FUSE LINK 84°C (M13)
51	0200-086-001P	FUSE LINK 93°C (M14)
NS	0259K00011	WIRE ASSY, 9 PIN FEMALE (M13, M14)

Image 2:

12	0175M00004	HEATER ELEMENT 6.00 KW (M15)
12	0175M00005	HEATER ELEMENT 8.00 KW (M16)
12	0175M00006	HEATER ELEMENT 9.60 KW (M17)
22	B1256559	SEQUENCER (M15, M16, M17)
32	B1368250	TERMINAL BLOCK A-10KW (M15, M16, M17)
42	0200-194-001P	LIMIT (M15, M16, M17)
52	0200-086-001P	FUSE LINK 93°C (M15, M16, M17)
NS	0259K00011	WIRE ASSY, 9 PIN FEMALE (M15, M16, M17)

Expanded Model Nomenclature

M1 - HKSC05XCAA
M2 - HKSC08XCAA
M3 - HKSC10XCAA
M4 - HKSC15XAAA
M5 - HKSC15XBAA
M6 - HKSC15XFAA
M7 - HKSC19CAAA
M8 - HKSC19CBAA
M9 - HKSC20DAAA
M10 - HKSC20DBAA
M11 - HKSC20XFAA
M12 - HKSC25DCAA
M13 - HKSX03XCAA
M14 - HKSX05XCAA
M15 - HKSX06XCAA
M16 - HKSX08XCAA
M17 - HKSX10XCAA